

Once the the battery pack has been exhausted, dispose of the unit at a local recycling station. Contact the local government offices for further details.

This appliance is fitted with a 22.2 V 2200 mAh Li-ion rechargeable battery.

Do's and Don'ts

Do:

Charge the vacuum cleaner fully before use. Check that the HEPA filter is kept clear of obstruction.

Make sure that the dust container and HEPA filter are cleaned regularly.

Don't:

Use the vacuum cleaner without the HEPA filter or dust container in position.

Use the vacuum cleaner to pick up flammable liquid, matches, cigarette ends, hot ashes or any hot, burning or smoking objects.

Use the vacuum cleaner to pick up water or any other liquid, as this poses risk of an electric shock.

Instructions for Use

Before First Use

Before using the vacuum cleaner for the first time, clean the exterior surface with a soft, damp cloth and dry thoroughly. Do not immerse the vacuum cleaner in water or any other liquid.

Charging the Airgility Cordless

Before first use, the vacuum cleaner must be charged for approx. 5 hours. Subsequent charging times will vary dependent upon use.

The battery pack must be fitted onto the vacuum cleaner main unit during charging; do not charge the battery pack separately.

STEP 1: Before connecting to the mains power supply, attach the battery pack to the main unit until it clicks.

STEP 2: Connect the mains power adaptor to the charging port on the battery pack.

STEP 3: Plug the mains power adaptor into the mains power supply; the LED indicator light will flash during charging and then remain illuminated once the battery is fully charged.

STEP 4: Unplug the mains power adaptor from the mains power supply once the battery is fully charged. Disconnect the mains power adaptor from the charging port on the battery pack.

Note: Whilst charging, the battery pack may become warm.

Using the Airgility Cordless

STEP 1: Check that the vacuum cleaner is disconnected from the mains power.

Make sure the battery pack is securely attached to the main unit.

STEP 2: Turn on the vacuum cleaner by pressing the power trigger; press once for the minimum power setting, press twice to use the maximum power setting.

STEP 3: To turn off the vacuum cleaner, press the power trigger.

Cleaning the HEPA Filter

The dust container and HEPA filter need to be emptied and cleaned regularly to preserve suction and prolong the life of the vacuum cleaner.

Storage

Check that the vacuum cleaner is cool, clean and dry before storing in a cool, dry place.

The vacuum cleaner can be neatly stored away after use by securing the main unit onto the extension tube using the storage hook.

Specifications

Product code: BEL0776N

Battery: 22.2 V DC 2200 mAh Li-ion

Adaptor Input: 100-240 V ~ 50/60 Hz

Adaptor Output: 26 V $\overline{=}$ 0.4 A 10.4 W

Average active efficiency: 83.81 %

Efficiency at low load (10 %): 75.78 %

No-load power consumption: 0.01 W

Dust tank capacity: 1.2 L

If this product does not reach you in an acceptable condition please contact our Customer Services Department at www.beldray.com. Please have your delivery note to hand as details from it will be required. If you wish to return this product, please return it to the retailer from where it was purchased with your receipt (subject to their terms and conditions).

Go to www.beldray.com and search **BEL0776N** to access the instruction manual for your product.

*To be eligible for the extended guarantee, go to

www.beldray.com and register your product within 30 days of purchase.

Rechargeable batteries are not included in the extended manufacturer's guarantee (after the first 12 months).

The crossed out wheellie bin symbol on this item indicates that this appliance needs to be disposed of in an environmentally friendly way when it becomes of no further use or has worn out. Contact your local authority for details of where to take the item for recycling.



FULL INSTRUCTION MANUAL AT
www.beldray.com/manuals.html
PRODUCT CODE: **BEL0776N**

est. 1872
Beldray[®]

AIRGILITY
CORDLESS
QUICKSTART GUIDE

Find us on **f**

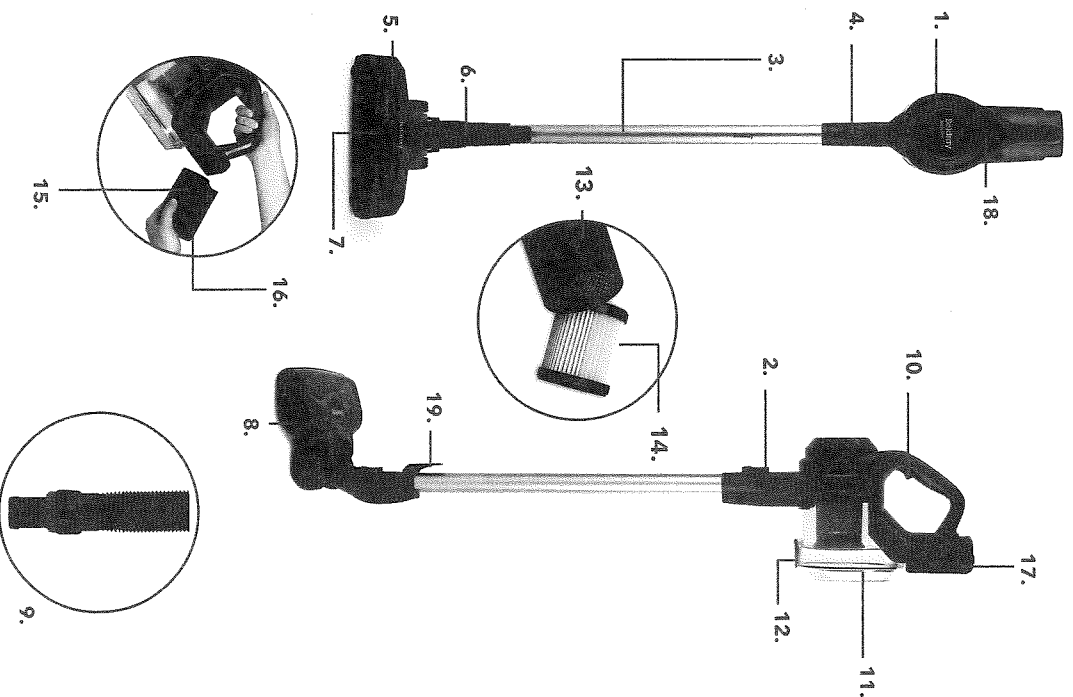
www.facebook.com/Beldray

Manufactured by:
UP Global Sourcing UK Ltd.,
UK, Manchester OL9 0DD.
Germany, 51149 Köln.
MADE IN CHINA.

www.beldray.com

CD260220/MD050321/V3

Description of Parts



1. Airgility Cordless main unit
2. Air inlet
3. Extension tube release button
4. Extension tube
5. Floor brush release button
6. Floor brush
7. Brush bar
8. Brush bar release tab
9. 2 in 1 crevice and brush tool
10. Power trigger
11. Dust container
12. Dust container base release latch
13. Filter cone
14. HEPA filter
15. Battery pack
16. Battery release catch
17. Charging port
18. LED indicator light
19. Storage hook

Please read all of the instructions carefully and retain for future reference.

Safety Instructions

When using electrical appliances, basic safety precautions should always be followed. Check that the voltage indicated on the rating plate corresponds with that of the local network before connecting the appliance to the mains power supply. Children aged from 8 years and people with reduced physical, sensory or mental capabilities or lack of experience and knowledge can use this appliance, only if they have been given supervision or instruction concerning use of the appliance in a safe way and understand the hazards involved. Children should be supervised to ensure that they do not play with the appliance. Unless they are older than 8 and supervised, children should not perform cleaning or user maintenance. This appliance contains no user serviceable parts. If the power supply cord, plug or any part of the appliance is malfunctioning or if it has been dropped or damaged, do not use. Only a qualified electrician should carry out repairs. Improper repairs may place the user at risk of harm.

Do not remove the adaptor from the mains power supply by pulling the cord; switch off and remove the plug by hand.
Do not use the adaptor to recharge non-rechargeable batteries or any other appliance.
Do not use the appliance for anything other than its intended use.
Take care when equipping accessories with rotating parts as this could cause entrapment.
Switch off the appliance, disconnect it from the mains power supply and allow to cool fully before changing or fitting accessories and before cleaning or user maintenance.

Use of an extension cord with the appliance is not recommended.
Only use the appliance with the power supply unit provided.
This appliance should not be operated by means of an external timer or separate remote control system.
This appliance is intended for domestic use only. It should not be used for commercial purposes.
Caution: The extension tube contains electrical connections. Do not use to suck up water. Do not immerse in water for cleaning. The extension tube should be checked regularly and must not be used if damaged.

Battery Safety

The supply terminals are not to be short-circuited. In the event of a battery or cell leaking, do not allow the liquid to come in contact with the skin or eyes. If contact has been made, wash the affected area with copious amounts of water and seek medical advice.
Do not use any cell or battery which is not designed for use with the product.
Secondary cells and the battery pack need to be charged before use. After extended periods of storage, it may be necessary to charge and discharge the cells or the battery pack several times to obtain maximum performance.
Do not leave a battery pack on prolonged charge when not in use.
Do not use any charger other than that specifically provided for use with the product.
Keep the battery pack out of the reach of children.
Do not crush, puncture, dismantle or otherwise damage the battery pack.
Do not store above 60 °C.
Avoid storage in direct sunlight.
Do not expose the battery pack to heat or fire as they may explode.
Do not subject the battery pack to mechanical shock.

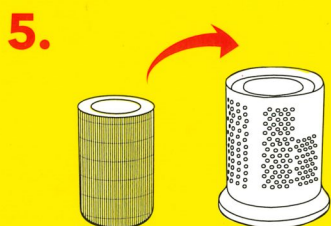
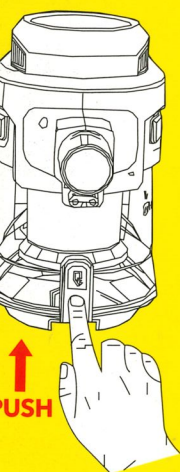
WARNING - MUST READ

DO NOT USE ANY CHARGING ADAPTORS WITH THE VACUUM CLEANER OTHER THAN THE ONE SUPPLIED.

DO NOT USE THE VACUUM CLEANER WITHOUT THE HEPA FILTER OR FILTER CONE IN POSITION; THE HEPA FILTER AND FILTER CONE MUST BE CORRECTLY FITTED BEFORE USE.

FAILURE TO ADHERE TO THE ABOVE COULD CAUSE DAMAGE TO THE VACUUM CLEANER.

FOLLOW THE INSTRUCTIONS BELOW TO CLEAN AND REFIT THE HEPA FILTER:



ONCE COMPLETELY DRY, REFIT THE HEPA FILTER INTO THE FILTER CONE



**IMPORTANT: THE ADAPTOR SUPPLIED
SHOULD ONLY BE USED WITH THIS
PRODUCT.**